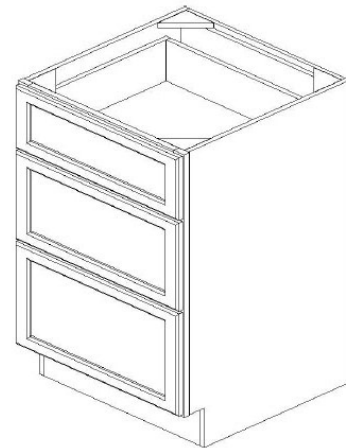


# Assmby Instruction

## Drawer Base



Code	Description	Qty.
A	Side Panel (L/R)	2
B	Face Frame	1
C	Back Panel	1
D	Bottom Panel	1
E	Toe Kick	1
F	Drawer Box (Side/bottom panels)	3 sets
G	Drawer Face	3
H	Sliders & Adapter	3 sets
I	Plastic Slider holder	6
J	Support Bracket (wooden)	4

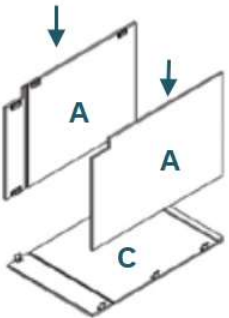
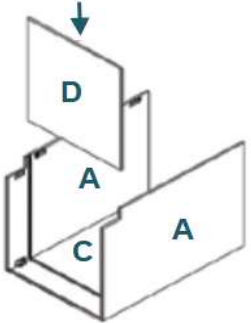


**For Product lines:**  
 Modern Gray/Frenso Gray Shaker/Anaheim  
 Gray/Beech Espresso

### Required Tools:

<p>Power Drill</p> 	<p>Rubber Hammer</p> 	<p><b>EASY ASSEMBLY METAL CLIP SYSTEM</b></p>  <ul style="list-style-type: none"> <li>➤ Align Clips ① and ②</li> <li>➤ Slide ① into ②</li> <li>➤ Insert locking screw into clip pair</li> <li>➤ Tighten all screws</li> </ul>
--	--	--

### Step-by-Step Instruction:

Step 1		Step 2	
<p>Lay back panel (C) flat, grooves facing upward</p> <p>Insert Side panel (A) on (C) and secure with metal clips (Refer to Metal clip system above)</p>		<p>Slide bottom panel (D) into grooves of (A) and (C)</p>	

# Assmby Instruction

## Drawer Base



<p><b>Step 3</b></p> <p>Attach Front frame (B) onto (A) (Referal to metal clip system above)</p>		<p><b>Step 4</b></p> <p>Attach Toe kick (E) onto bottom front of (A) (Referal to metal clip system above)</p>	
<p><b>Step 5</b></p> <p>Screw both rear slider holder brackets (I) into pre-drill holes in C, angle facing upward</p> <p>Install sliders (K) into L and screw into the side of B</p>		<p><b>Step 6</b></p> <p>Assemble the drawer box by using Rubber Hammer</p> <p><i>*Use wood glue for a permanent bond*</i></p> <p>(Beech espresso drawer box using screw assembly)</p>	
<p><b>Step 7</b></p> <p>Attach plastic adapter underneath the drawer(s)</p> <p>There will be a letter indicating L or R side</p>		<p><b>Step 8</b></p> <p>Position Drawer box(s) F over drawer sliders K</p>	

# Assmby Instruction

## Drawer Base

### Step 9

Attach Drawer face (G) onto drawer front

Place Wooden support brackets (J) into corners of A, B, C

